

Multi Color LED

Back to [Multi Color LED](#) Main Page

Part No. 08L5015RGBC

Φ5.00mm ROUND FULL COLOR LED LAMPS

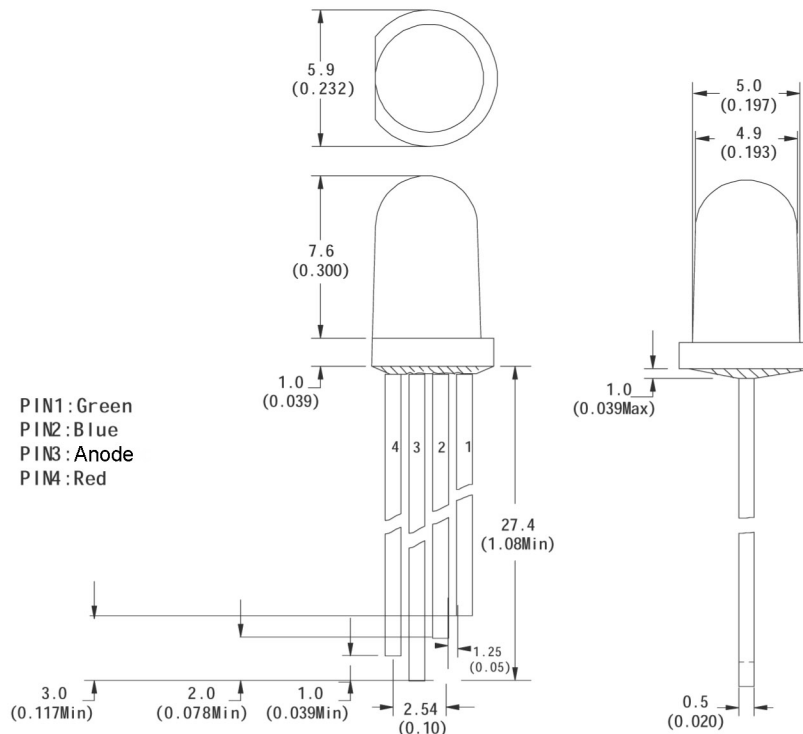
■ Features:

- 256 Color Capability with Red, Green and Blue Chips
- High Intensity Illumination
- Reliable and Rugged
- IC Compatible/Low Current Capability
- Long Life-Solid State Reliability
- Easy Mounting On PCB or Sockets
- Low power requirement

■ Description

- R:AlGaInP Ultra Orange G:InGaN/SiC Pure Green B:InGaN/SiC Ultra Blue
- Water Clear

■ Package dimensions



NOTES:

1. All dimension are in millimeters(inch).
2. An epoxy meniscus may extend about 1.5mm down to the lead.
3. Tolerances unless dimension ± 0.25 mm.

Φ5.00mm ROUND FULL COLOR LED LAMPS

■ Absolute Maximum Ratings at Ta=25 °C

Parameter	Symbol	Ultra Orange	Pure Green	Ultra Blue	Unit
Forward Current	I _F	30	30	25	mA
Power Dissipation	P _d	60	120	120	mW
Reverse Voltage	V _R	5	5	5	V
Peak Forward Current (Duty 1/10 @1KHZ)	I _{PF}	150	120	120	mA
Operation Temperature	T _{OPR}	-40 to +80			°C
Storage Temperature	T _{STG}	-40 to +85			°C
Lead Soldering Temperature	T _{SOL}	Max.260 ± 5 °C for 3 sec Max.			°C

■ Electronic Optical Characteristics at Ta=25 °C

Items	Symbol	Color	Min.	Typ.	Max.	Unit	Condition
Forward Voltage	V _F	Ultra Orange	-	2.00	2.50	V	I _F =20mA
		Pure Green	-	3.50	4.00		
		Ultra Blue	-	3.50	4.00		
Reverse Current	I _R		-	-	50	uA	V _R =5V
Peak Wavelength	λ _P	Ultra Orange	-	632	-	nm	I _F =20mA
		Pure Green	-	525	-		
		Ultra Blue	-	470	-		
Spectrum Line Half width	Δλ	Ultra Orange	-	20	-	nm	I _F =20mA
		Pure Green	-	36	-		
		Ultra Blue	-	30	-		
Luminous Intensity	I _V	Ultra Orange	-	800	-	mcd	I _F =20mA
		Pure Green	-	4000	-		
		Ultra Blue	-	1500	-		